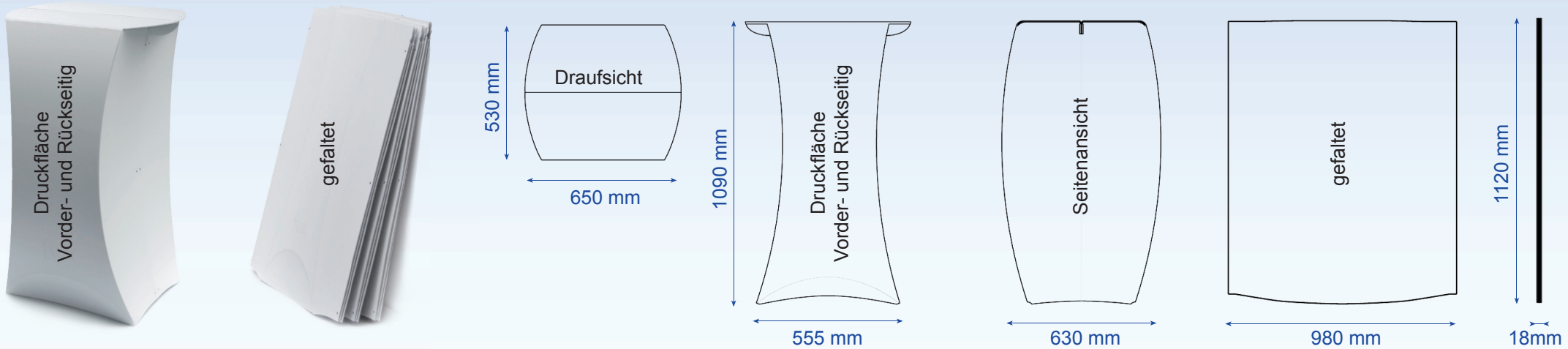


# Flux Bistrotisch



Die Skizzen sind nicht maßstabsgetreu. Zur Datenanlage bitte Vorlage auf der nächsten Seite verwenden.  
Alle Schriften müssen in Kurven umgewandelt werden.  
Entfernen Sie nach Erstellung Ihrer Daten alle Hilfslinien und Konturen.



Vorderseite

The diagram shows a blue outline of a garment pattern piece, likely a bodice or skirt section. It features a straight horizontal top edge, two curved side edges that taper towards the bottom, and a curved bottom edge. There are small circular dots at the four corners where the lines meet, indicating pinning or marking points. The text 'Vorderseite' is centered within the shape.



Rückseite

The diagram shows a blue outline of a garment pattern piece, identical in shape to the front side. It features a straight horizontal top edge, two curved side edges that taper towards the bottom, and a curved bottom edge. There are small circular dots at the four corners where the lines meet, indicating pinning or marking points. The text 'Rückseite' is centered within the shape.